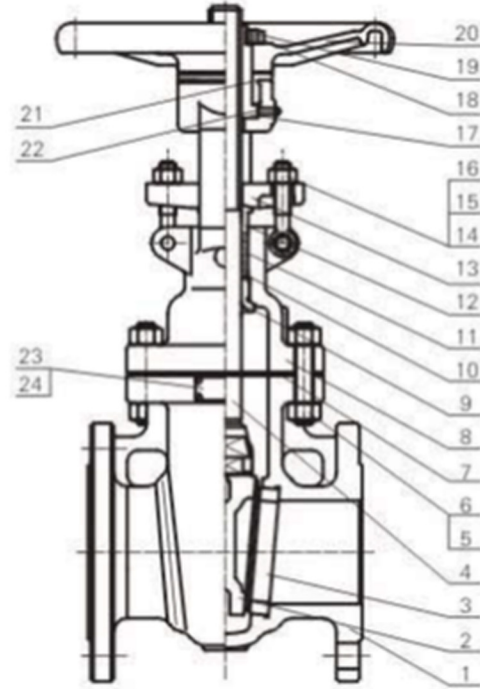
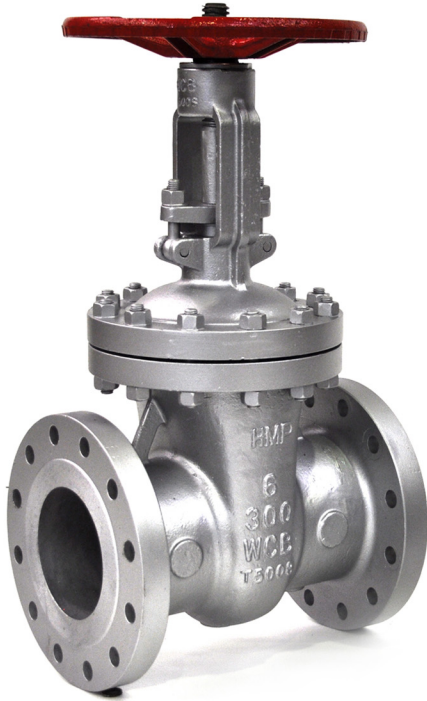




HMP™ _11C API 600 Wedge Gate Valves

Overview:

The HMP™ _11C API 600 Wedge Gate valve are designed in accordance with API 600. It is suitable to be used in temperatures up to 600 °C / 1112 °F. The valve are manufactured with a bolted bonnet, flanged or butt welded, rising spindle and handwheel operated. These valve are widely used in water treatment, water distribution, mining and power generations applications. The benefit of using rising spindle gate valves are that it can immediately be seen if the valve is in an open, closed or partly open position.



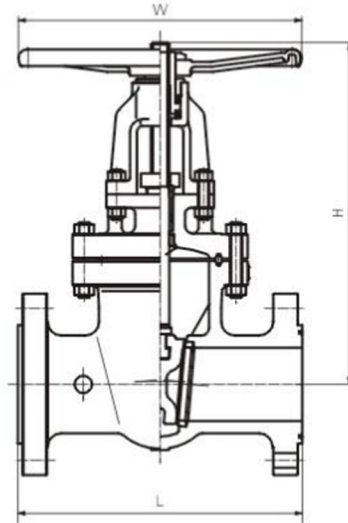
Materials Of Construction:

No	Part name	WCB	C5	WC6	CF8	CF8M
1	Body	A216 WCB	A217 C5	A217 WC6	A351 CF8	A351 CF8M
2	Wedge gate	A216 WCB / Stellite 6	A217 C5 / Stellite 6	A217 WC6 / Stellite 6	A351 CF8	A351 CF8M
3	Seat	A105 / Stellite 6	A182 F11 / Stellite 6	A182 F11 / Stellite 6	A182 F304 / Stellite 6	A182 F316 / Stellite 6
4	Stem	A182 F6a	A182 F6a	A182 F6a	A182 F304	A182 F316
5	Bolt	A193 B7	A193 B7	A193 B7	A193 B8	A193 B8M
6	Nut	A194 2H	A194 2H	A194 2H	A194 8	A194 8M
7	Gasket 150lbs	304 / Flexible graphite	304 / Flexible graphite	304 / Flexible graphite	304 / Flexible graphite	316 / Flexible graphite
	Gasket 1300lbs	304 / Flexible graphite	304 / Flexible graphite	304 / Flexible graphite	304 / Flexible graphite	Spiral wound
	Gasket ≥600lbs	F304	F304	F304	F304	Spiral wound
8	Bonnet	A216 WCB	A217 C5	A217 WC6	A351 CF8	A351 CF8M
9	Backseat	A182 F6a	A182 F6a	A182 F6a	A182 F6a	A182 F316
10	Packing	304 / Flexible graphite	304 / Flexible graphite	304 / Flexible graphite	304 / Flexible graphite	Pilar 6610 / 6528
11	Distance ring	A182 F6a	A182 F6a	A182 F6a	A182 F304	A182 F316
12	Packing gland	A182 F6a	A182 F6a	A182 F6a	A182 F304	A182 F316
13	Packing plate	A216 WCB	A216 WCB	A216 WCB	A351 CF8	A351 CF8M
14	Eye bolt	A193 B7	A193 B7	A193 B7	A193 B8	A193 B8
15	Nut	A194 2H	A194 2H	A194 2H	A194 8	A194 8
16	Pin	1035	1035	1035	SS 304	SS 304
17	Driving bush	A439 Type D2	A439 Type D2	A439 Type D2	A439 Type D2	A439 Type D2
18	Locking nut	1035	1035	1035	1035	1035
19	Locking screw	1035	1035	1035	1035	1035
20	Handwheel	Cast Iron	Cast Iron	Cast Iron	Cast Iron	Cast Iron
21	Bearing gland	1035	1035	1035	1035	1035
22	Oil nipple	Zink plated steel	Zink plated steel	Zink plated steel	SS 304	SS 304
23	Nameplate	SS 304	SS 304	SS 304	SS 304	SS 304
24	Rivet	SS 304	SS 304	SS 304	SS 304	SS 304
Seat temperature rating (°C)		-29 °C to 425 °C	-29 °C to 650 °C	-29 °C to 595 °C	-29 °C to 600 °C	-29 °C to 600 °C
Seat temperature rating (°F)		-20 °F to 797 °F	-20 °F to 1202 °F	-20 °F to 1103 °F	-20 °F to 1112 °F	-20 °F to 1112 °F

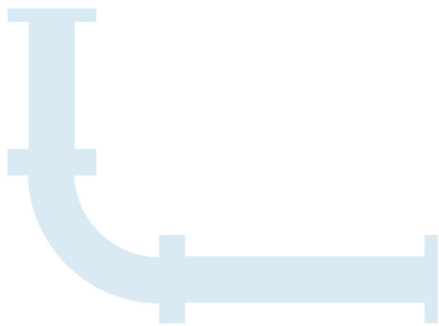


HMP™_11C API 600 Wedge Gate Valves

Dimensions:



150lbs													
Valve Size		Face to Face (L)				Centre to top		Handwheel Ø		Mass			
		Flanged		Buttwelded		H (Open)		W		Flanged		Buttwelded	
(DN)	(inch)	(mm)	(inch)	(mm)	(inch)	(mm)	(inch)	(mm)	(inch)	(kg)	(lbs)	(kg)	(lbs)
50	2"	178	7,0	216	8,5	341	13,4	200	7,9	20	44	19	41,89
65	2 1/2"	190	7,5	241	9,5	371	14,6	200	7,9	30	66	28	61,73
80	3"	203	8,0	283	11,1	402	15,8	250	9,8	33	73	30	66,14
100	4"	229	9,0	305	12,0	472	18,6	280	11,0	49	108	45	99,21
125	5"	254	10,0	381	15,0	530	20,9	300	11,8	60	132	65	143,30
150	6"	267	10,5	403	15,9	587	23,1	300	11,8	75	165	70	154,32
200	8"	292	11,5	419	16,5	783	30,8	350	13,8	120	265	110	242,51
250	10"	330	13,0	457	18,0	904	35,6	400	15,7	205	452	194	427,70
300	12"	356	14,0	502	19,8	1047	41,2	450	17,7	290	639	278	612,88
350	14"	381	15,0	572	22,5	1172	46,1	500	19,7	400	882	375	826,73
400	16"	406	16,0	610	24,0	1297	51,1	600	23,6	511	1127	465	1025,15
450	18"	432	17,0	660	26,0	1433	56,4	680	26,8	650	1433	538	1186,09
500	20"	457	18,0	711	28,0	1590	62,6	750	29,5	789	1739	715	1576,30
600	24"	508	20,0	813	32,0	1898	74,7	800	31,5	1200	2646	1050	2314,85
650	26"	559	22,0	864	34,0	2000	78,7			1500	3307		
700	28"	610	24,0	914	36,0	2050	80,7			1800	3968		
750	30"	610	24,0	914	36,0	2330	91,7			2560	5644		
800	32"	660	26,0	965	38,0	2533	99,7			3060	6746		
850	34"	700	27,6	1000	39,4	2698	106,2			3320	7319		
900	36"	711	28,0	1060	41,7	2800	110,2			3500	7716		
950	38"	736	29,0	1041	41,0	3960	155,9			3850	8488		
1000	40"	762	30,0	1067	42,0	4030	158,7			4100	9039		
1050	42"	787	31,0	1118	44,0	4229	166,5			6050	13338		
1150	46"	850	33,5	1092	43,0	4744	186,8			7300	16094		
1200	48"	914	36,0	1118	44,0	4821	189,8			7550	16645		
1250	50"	950	37,4			5183	204,1			8000	17637		
1350	54"	1016	40,0			5501	216,6			8600	18960		
1400	56"	1041	41,0			5791	228,0			9200	20283		
1500	60"	1067	42,0			6066	238,8			12700	27999		
1600	64"	1118	44,0			6591	259,5			13800	30424		



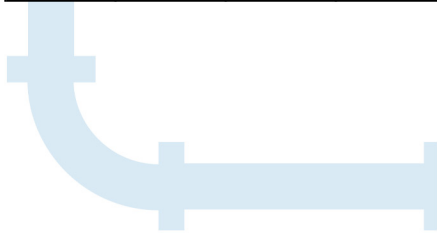


HMP™ 11C API 600 Wedge Gate Valves

Dimensions:

Valve Size		300lbs											
		Face to Face (L)				Centre to top		Handwheel Ø		Mass			
		Flanged		Buttwelded		H (Open)		W		Flanged		Buttwelded	
(DN)	(inch)	(mm)	(inch)	(mm)	(inch)	(mm)	(inch)	(mm)	(inch)	(kg)	(lbs)	(kg)	(lbs)
50	2"	216	8,5	216	8,5	345	13,6	200	7,9	24	53	21	46
65	2 1/2"	241	9,5	241	9,5	376	14,8	200	7,9	36	79	25	55
80	3"	283	11,1	283	11,1	407	16,0	250	9,8	47	104	41	90
100	4"	305	12,0	305	12,0	478	18,8	300	11,8	69	152	62	137
125	5"	381	15,0	381	15,0	535	21,1	300	11,8	89	196	80	176
150	6"	403	15,9	403	15,9	618	24,3	350	13,8	123	271	111	245
200	8"	419	16,5	419	16,5	765	30,1	400	15,7	196	432	188	414
250	10"	457	18,0	457	18,0	929	36,6	450	17,7	333	734	274	604
300	12"	502	19,8	502	19,8	1094	43,1	500	19,7	440	970	408	899
350	14"	762	30,0	762	30,0	1188	46,8	550	21,7	710	1565	532	1173
400	16"	838	33,0	838	33,0	1329	52,3	680	26,8	950	2094	730	1609
450	18"	914	36,0	914	36,0	1455	57,3	750	29,5	1405	3097	918	2024
500	20"	991	39,0	991	39,0	1860	73,2	920	36,2	1720	3792	1259	2776
600	24"	1143	45,0	1143	45,0	2030	79,9			2770	6107	1952	4303
650	26"	1245	49,0	1245	49,0	2400	94,5			2900	6393	2262	4987
700	28"	1346	53,0	1346	53,0	2800	110,2			3312	7302	3525	7771
750	30"	1397	55,0	1397	55,0	3150	124,0			4100	9039	3672	8095
800	32"	1524	60,0	1524	60,0	3300	129,9			5200	11464	4266	9405
850	34"	1626	64,0	1626	64,0	3750	147,6			5600	12346	4866	10728
900	36"	1727	68,0	1727	68,0	4250	167,3			6700	14771	5669	12498
1000	40"	1930	76,0	1930	76,0	4550	179,1			7400	16314	7020	15476
1050	42"	1930	76,0	1930	76,0	4550	179,1			7700	16976	7200	15873
1100	44"	2032	80,0	2032	80,0	4750	187,0			10600	23369	9900	21826
1150	46"	2032	80,0	2032	80,0	4820	189,8			10900	24030	10100	22267
1200	48"	2235	88,0	2235	88,0	5250	206,7			13400	29542	12600	27778
1350	54"	2286	90,0	2286	90,0	5900	232,3			18000	39683	16900	37258

Valve Size		600lbs											
		Face to Face (L)				Centre to top		Handwheel Ø		Mass			
		Flanged		Buttwelded		H (Open)		W		Flanged		Buttwelded	
(DN)	(inch)	(mm)	(inch)	(mm)	(inch)	(mm)	(inch)	(mm)	(inch)	(kg)	(lbs)	(kg)	(lbs)
50	2"	292	11,5	292	11,5	377	14,8	200	7,9	39	86	27	60
65	2 1/2"	330	13,0	330	13,0	443	17,4	250	9,8	52	115	40	88
80	3"	356	14,0	356	14,0	465	18,3	280	11,0	88	194	59	130
100	4"	432	17,0	432	17,0	525	20,7	300	11,8	114	251	102	225
125	5"	508	20,0	508	20,0	610	24,0	400	15,7	204	450	190	419
150	6"	559	22,0	559	22,0	672	26,5	450	17,7	285	628	263	580
200	8"	660	26,0	660	26,0	820	32,3	500	19,7	413	911	329	725
250	10"	787	31,0	787	31,0	983	38,7	680	26,8	650	1433	520	1146
300	12"	838	33,0	838	33,0	1120	44,1	750	29,5	800	1764	750	1653
350	14"	889	35,0	889	35,0	1283	50,5	800	31,5	1140	2513	1000	2205
400	16"	991	39,0	991	39,0	1429	56,3			1700	3748	1350	2976
450	18"	1092	43,0	1092	43,0	1572	61,9			2268	5000	1820	4012
500	20"	1194	47,0	1194	47,0	1757	69,2			2850	6283	2550	5622
600	24"	1397	55,0	1397	55,0	1985	78,1			3500	7716	3000	6614
650	26"	1448	57,0	1448	57,0	2100	82,7			3900	8598	3500	7716
700	28"	1549	61,0	1549	61,0	2230	87,8			4200	9259	3700	8157
750	30"	1651	65,0	1651	65,0	2475	97,4			5400	11905	4500	9921
800	32"	1778	70,0	1778	70,0	2300	90,6			8500	18739	7600	16755
850	34"	1930	76,0	1930	76,0	2700	106,3			9100	20062	8200	18078
900	36"	2083	82,0	2083	82,0	2950	116,1			10800	23810	9900	21826
950	38"	2184	86,0	2184	86,0	3100	122,0			12100	26676	11100	24471
1000	40"	2286	90,0	2286	90,0	4500	177,2			15000	33069	14100	31085
1100	44"	2490	98,0	2490	98,0	4700	185,0			19300	42549	18100	39904
1250	50"	2794	110,0	2794	110,0	5500	216,5			26700	58863	25200	55556





HMP™_11C API 600 Wedge Gate Valves

Dimensions:

900lbs													
Valve Size		Face to Face (L)				Centre to top		Handwheel Ø		Mass			
		Flanged		Buttwelded		H (Open)		W		Flanged		Buttwelded	
(DN)	(inch)	(mm)	(inch)	(mm)	(inch)	(mm)	(inch)	(mm)	(inch)	(kg)	(lbs)	(kg)	(lbs)
50	2"	368	14,5	368	14,5	445	17,5	300	11,8	72	159	64	141
65	2 1/2"	419	16,5	419	16,5	480	18,9	300	11,8	101	223	94	207
80	3"	381	15,0	381	15,0	514	20,2	350	13,8	130	287	109	240
100	4"	457	18,0	457	18,0	614	24,2	400	15,7	197	434	159	351
125	5"	559	22,0	559	22,0	730	28,7	500	19,7	285	628	250	551
150	6"	610	24,0	610	24,0	834	32,8	600	23,6	404	891	374	825
200	8"	737	29,0	737	29,0	875	34,4	600	23,6	650	1433	611	1347
250	10"	838	33,0	838	33,0	1040	40,9	700	27,6	1376	3034	1180	2601
300	12"	965	38,0	965	38,0	1150	45,3	800	31,5	1710	3770	1493	3291
350	14"	1029	40,5	1029	40,5	1360	53,5			2100	4630	1892	4171
400	16"	1130	44,5	1130	44,5	1520	59,8			2920	6437	2650	5842
450	18"	1219	48,0	1219	48,0	1830	72,0			5000	11023	4500	9921
500	20"	1321	52,0	1321	52,0	2100	82,7			5720	12610	5240	11552
600	24"	1549	61,0	1549	61,0	2610	102,8			8200	18078	7100	15653

1500lbs													
Valve Size		Face to Face (L)				Centre to top		Handwheel Ø		Mass			
		Flanged		Buttwelded		H (Open)		W		Flanged		Buttwelded	
(DN)	(inch)	(mm)	(inch)	(mm)	(inch)	(mm)	(inch)	(mm)	(inch)	(kg)	(lbs)	(kg)	(lbs)
50	2"	368	14,5	368	14,5	462	18,2	300	11,8	85	187	68	150
65	2 1/2"	419	16,5	419	16,5	512	20,2	350	13,8	130	287	122	269
80	3"	470	18,5	470	18,5	550	21,7	400	15,7	170	375	116	256
100	4"	546	21,5	546	21,5	752	29,6	550	21,7	305	672	195	430
125	5"	673	26,5	673	26,5	927	36,5	550	21,7	590	1301	478	1054
150	6"	705	27,8	705	27,8	1120	44,1	600	23,6	664	1464	510	1124
200	8"	832	32,8	832	32,8	1390	54,7	700	27,6	1100	2425	839	1850
250	10"	991	39,0	991	39,0	1524	60,0	800	31,5	1600	3527	1180	2601
300	12"	1130	44,5	1130	44,5	1850	72,8			2980	6570	2580	5688
350	14"	1257	49,5	1257	49,5	2180	85,8			2700	5952	2120	4674
400	16"	1384	54,5	1384	54,5	2210	87,0			3500	7716	2987	6585

2500lbs													
Valve Size		Face to Face (L)				Centre to top		Handwheel Ø		Mass			
		Flanged		Buttwelded		H (Open)		W		Flanged		Buttwelded	
(DN)	(inch)	(mm)	(inch)	(mm)	(inch)	(mm)	(inch)	(mm)	(inch)	(kg)	(lbs)	(kg)	(lbs)
50	2"	451	17,8	451	17,8	520	20,5	300	11,8				
65	2 1/2"	508	20,0	508	20,0	630	24,8	350	13,8				
80	3"	578	22,8	578	22,8	730	28,7	400	15,7				
100	4"	673	26,5	673	26,5	880	34,6	550	21,7				
125	5"	794	31,3	794	31,3	1020	40,2	600	23,6				
150	6"	914	36,0	914	36,0	1120	44,1	700	27,6				
200	8"	1022	40,2	1022	40,2	1500	59,1	800	31,5				
250	10"	1270	50,0	1270	50,0	1610	63,4						
300	12"	1422	56,0	1422	56,0	1900	74,8						

Design & Manufacturing Standards:

The HMP™_11C are designed in accordance with various international standards as set out below:
ASME Boilers and pressure vessels design code

- API 600 ANSI B16.25
- ANSI B16.10 ANSI B16.3
- ANSI B16.34 ANSI B16.37
- ANSI B16.5 ANSI N278.1

Flange drilling can also be drilled on request to BS4505, D.I.N, BS10, AS2129, AS/NZS 4331.1 (ISO 7005-1), JIS B2239, EN1092 and SANS 1123 standards.

